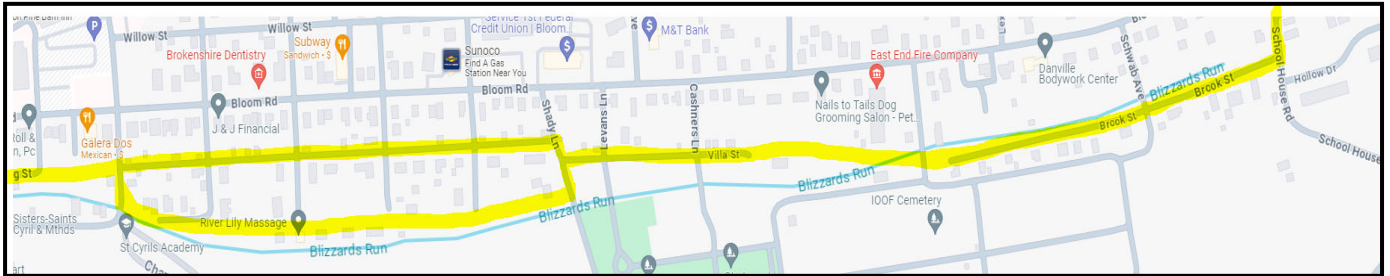


MAHONING TOWNSHIP VILLA STREET COLLECTION SYSTEM IMPROVEMENTS

Dear Valued Veolia Customer,

We hope this letter finds you well. We are reaching out to inform you of an upcoming project that will be taking place in your area. Veolia is planning to begin collection system improvements at Villa Street and the surrounding neighborhoods, located at or near your property.



Construction Scope

- Sewer pipe lining where applicable. Trenching unnecessary.
- Manhole lining/manhole replacement where applicable.
- Sewer pipe replacement where applicable. Trenching necessary.
- Laterals to individual sewer service lines that are to be relined or replaced will be completed while the street section is being relined or replaced.
- Final restoration of the disturbed sidewalks, curbs, driveways, road, and grass areas

What can I expect during the project?

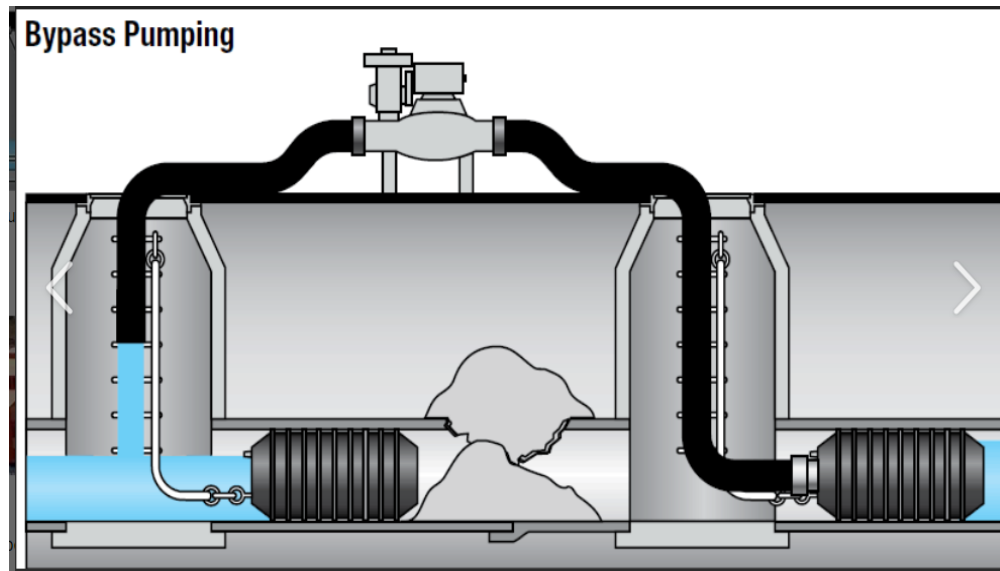
We anticipate the project to begin in August 2024, and it should be completed by March 2025. Throughout this project, there will be utility vehicles and equipment traveling to and from the project site locations. Noise from this work can be expected. Work will only be completed during daytime hours, after 7:30 AM on Municipality Roads, unless you are notified otherwise.

Traffic patterns will likely be modified to enable project work to be completed. Parking on the street will be temporarily affected. Access to your property may be briefly interrupted at times with every effort made to notify you in advance. There may be large equipment in the road and areas used for material storage; these items will be removed at the end of the project. Any driveways, roads, sidewalks, or grass areas affected during construction will initially be restored with temporary materials and then permanently restored at the end of the project.

Interruption of services

This work will possibly have a temporary, brief impact on your water services. Throughout construction, bypass pumping will be used to maintain sewer service. In rehabilitating existing sewer lines, typically the flow of sewage cannot simply be diverted; it must be “bypassed”—or temporarily pumped around the pipe being repaired or replaced. To do this, pumps capable of pumping trash- and sewage-laden effluent are used.

The pumps are installed upstream of the pipe to be relined or replaced. A temporary pipeline is installed from the pumps downstream of the pipe to be relined or replaced and back into the existing sewer line. Temporary plugs are set in place between these points to allow the pipe to be removed or repaired. Depending on the number of homes or businesses serviced by the sewer line, the bypass may handle sewage from a few to several thousand gallons per minute (gpm). At times these pumps will be running 24/7.



Will my driveway be affected?

Driveways may be affected if your existing service line is located within the driveway. If the sewer line is in the driveway, the area of the driveway disturbed by the relining or replacement of the sewer service will be restored with a temporary material as part of the work. Final paving restoration will be completed to the disturbed area at the end of the project.

Will the grass areas disturbed by the work be restored?

Upon project completion, the contractor will apply topsoil and seed in any grass areas that have been disturbed. Straw is left in place to minimize erosion and maximize germination of the seed. Proper watering and mowing can reduce unsightly weed or rough grass growth but cannot eliminate these issues. Parking on a newly seeded area should be avoided.

Will curbs, sidewalks, driveways, and roads be restored?

All these items disturbed will be restored under the direction of PennDOT or local municipalities. Concrete and asphalt will be installed per PennDOT or local municipality specifications. The material color may not match existing paving material and may fade as it weathers. The surface texture, slope, and access ramps will be installed as required by PennDOT and according to standards set within the Americans with Disabilities Act.

Is there anything else important to know?

Yes. While Veolia will be focusing our main excavation work in the roadway itself, the right-of-way can extend 16 ½ feet or more from the center of the roadway. This is the legally delineated space for most public utilities.

Some residents may have flower beds, bushes, shrubs, and other plantings near the road's edge within this right-of-way. Please be advised if you have plantings within the right-of-way, they may be affected by construction, you should remove any that you wish to save. Plantings that are in conflict and remain in the right of way may have to be removed by us, with no guarantees as to their survival.

Trees and shrubs that are planted at the location of the sewer line will be removed. Unfortunately, they are a risk to the system, as roots can cause issues such as cracks and leaks. Any trees and/or shrubs that are to be removed will be marked prior.

Final restoration does not begin until all pipes are installed, and the system is tested for leaks. Roadways, driveways, and sidewalks are restored first. There is also time necessary to allow fill materials to settle before this can happen. Final restoration of lawns and other green spaces follow hard surface restoration.

Who should I contact if I have questions?

If you have any questions concerning sewer main construction or scheduling, please contact Customer Service at 888-299-8972 during regular business hours, 877-426-8969 for emergencies. You may also go to our website at mywater.veolia.us.

Additional Notes

- **If you have special access needs, please call customer service at 888-299-8972.**
- Customers should expect the possibility that work crews may be out of sight, down the street continuing to work before they return to perform restoration of roadways, driveways, sidewalks, and lawns.
- Please do not park in front of your house when we are working in front of your house.
- Once topsoil and seed are put in place at the end of the project, we recommend you water these areas until grass is established and mow as needed for best results. The seed mixture does include a rough grass that is intended to grow quickly to help hold the regular grass seed in place for best germination.
- Our team will work as quickly and as safely as possible to get the project completed. These renovations are necessary and will help maintain the quality and reliability of our collections system for years to come.